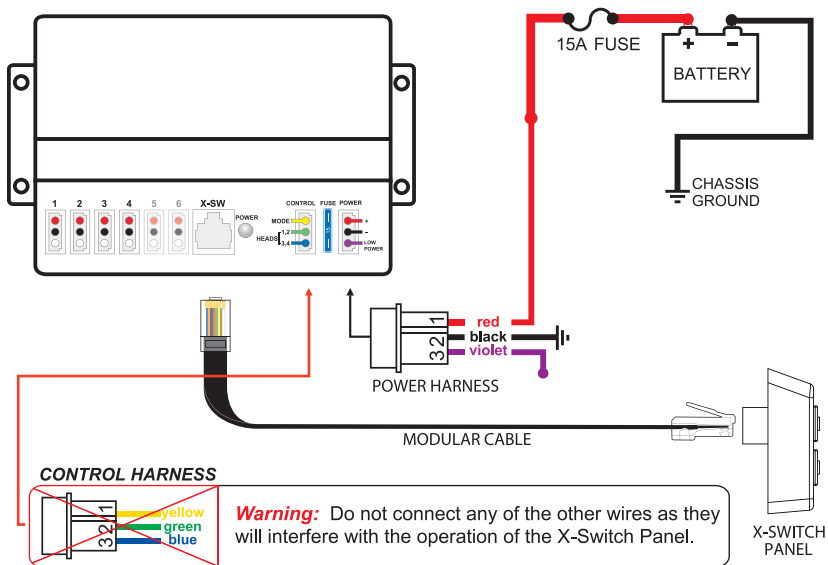
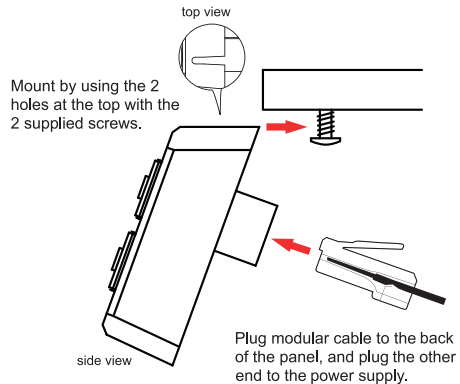


VI. Wiring Control to X-Switch Panel (sold separately).



Installing the X-Switch Panel



NOTE: Connect only the RED and BLACK wires on the power supply wiring harness.